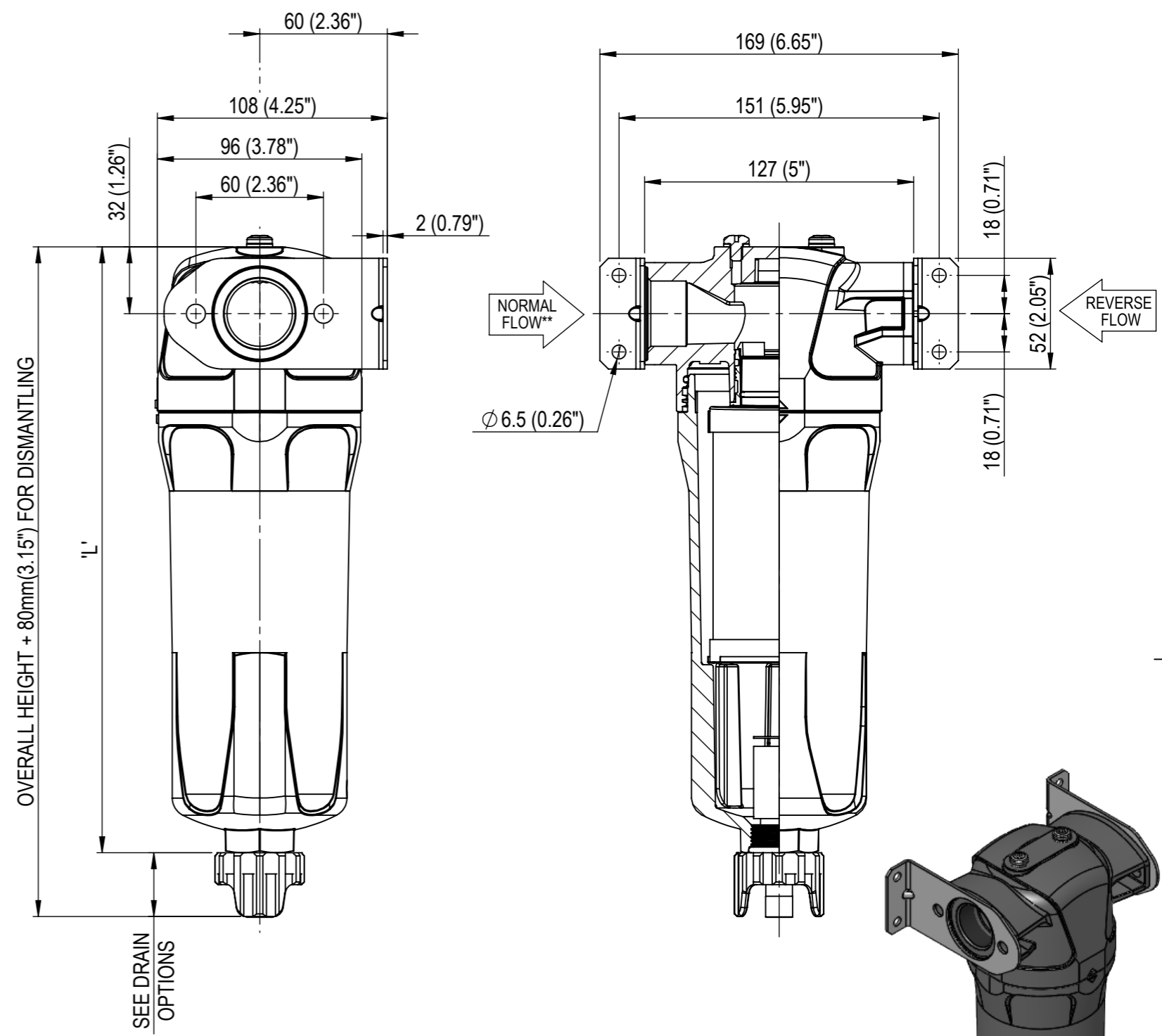
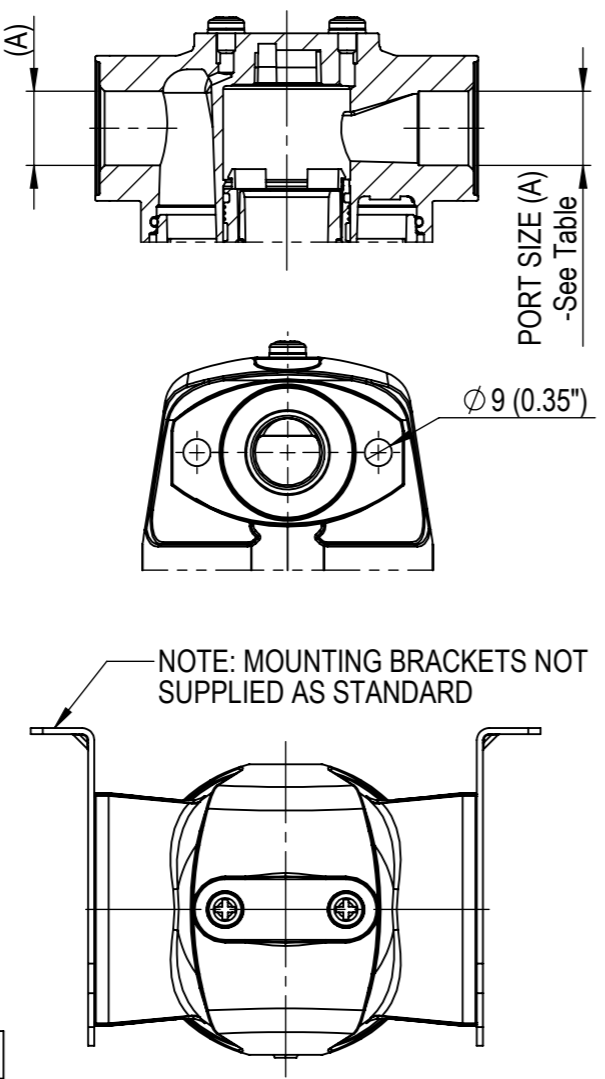


DRAIN PORT TYPE:	MAX. ALLOWABLE WORKING PRESSURE:
AUTOMATIC	16 barg (232 psig)
MANUAL	20.7 barg (300 psig)

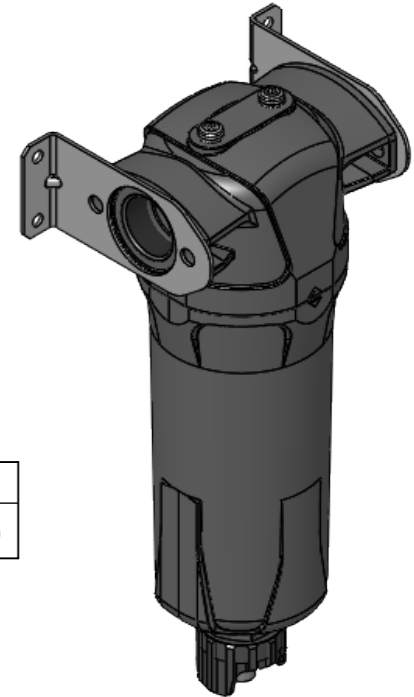
GENERAL PROPERTIES				
FILTER MODEL OPTIONS:				
Q_F-70	Q_F-85	Q_F-105	Q_F-125	Q_F-175
PORT SIZE (A) VALID FOR G & NPT CONNECTIONS:				
1/2"	3/4"	1"	3/4"	1"
FLOW RATE:				
33.1 l/s (70 SCFM)	40.0 l/s (85 SFCM)	49.4 l/s (105 SFCM)	58.9 l/s (125 SFCM)	82.5 l/s (175 SFCM)

FILTER GRADE	FLOW DIRECTION	PARTICLE REMOVAL	MAX OIL CARRYOVER AT 20°C	MAX PARTICLE SIZE CLASS*	MAX OIL CONTENT CLASS*	PRESSURE LOSS - CLEAN & DRY	PRESSURE LOSS - SATURATED	MAX AIR INLET TEMP. WITH AUTOMATIC DRAIN	MAX AIR INLET TEMP. WITH MANUAL DRAIN	END CAP COLOUR
P	N	5µm	1mg/m³	4	3	50mbar (0.7psi)	80mbar (1.2psi)	80°C (176°F)	N/A	GRN
M	N	-	0.3mg/m³	-	3	55mbar (0.8psi)	125mbar (1.8psi)	80°C (176°F)	N/A	RED
C	N	-	0.01mg/m³	-	2	85mbar (1.2psi)	125mbar (1.8psi)	80°C (176°F)	N/A	BLU
A	N	-	0.003mg/m³	-	1	115mbar (1.7psi)	-	N/A	50°C (122°F)	BLK



FILTER	Q_F-70	Q_F-85	Q_F-105	Q_F-125	Q_F-175
DIM 'L'	285 (11.22")	285 (11.22")	285 (11.22")	371 (14.61")	371 (14.61")

* CLASS IN ACCORDANCE WITH ISO8573-1:2010
 ** FLOW DIRECTION VISUALLY INDICATED ON FILTER HOUSING



PROJECT REFERENCE						DRG. TITLE	DRG. SIZE
DESIGN REF						Q_F 70-125 FILTER SPECIFICATION	A3
CREATED BY	DATE	DRG. NUMBER		MATERIAL	CHECK		
IA	11.9.19	A3- 42-1437		N/A	JL		
REV	CHANGE ORDER	DATE	BY	REV	A		